

# Air Curtains

Creates an invisible door of air

# hydor

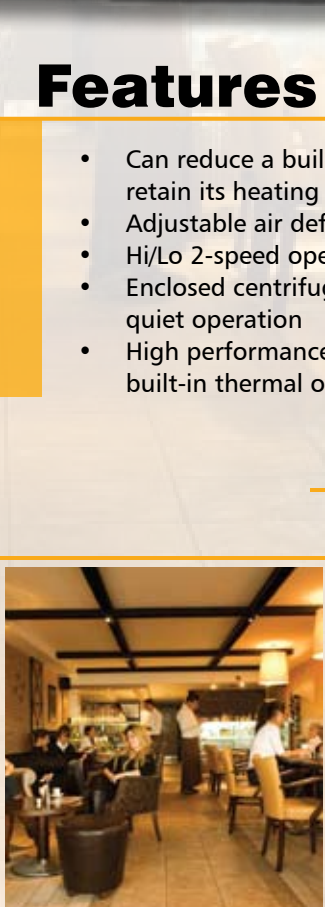
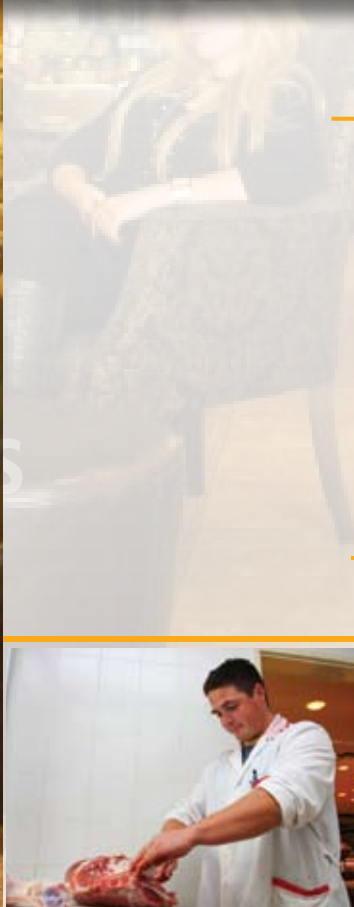
Hydor Air Curtains have been designed to maximise the efficiency of cooling systems by creating an invisible door of air that helps to retain a room's heating and cooling and therefore reduce a building's running costs.

Air Curtains act as a barrier to insects, dust, exhaust fumes and unpleasant odours entering the building. They are ideal for doorways with frequent customer and staff traffic, such as restaurants, butchers, bakeries, deli's, cafes and store rooms. They can also be used to facilitate air-circulating in large areas and help to separate air conditioned and non-airconditioned areas.



## Features Include

- Can reduce a building's running costs by helping to retain its heating and cooling
- Adjustable air deflection vents
- Hi/Lo 2-speed operation using the remote controller
- Enclosed centrifugal fans for high air velocity and quiet operation
- High performance double insulated motors with built-in thermal overload protection



**Industrial, Agricultural, Horticultural and Domestic Ventilation**

# Air Curtains

Creates an invisible door of air

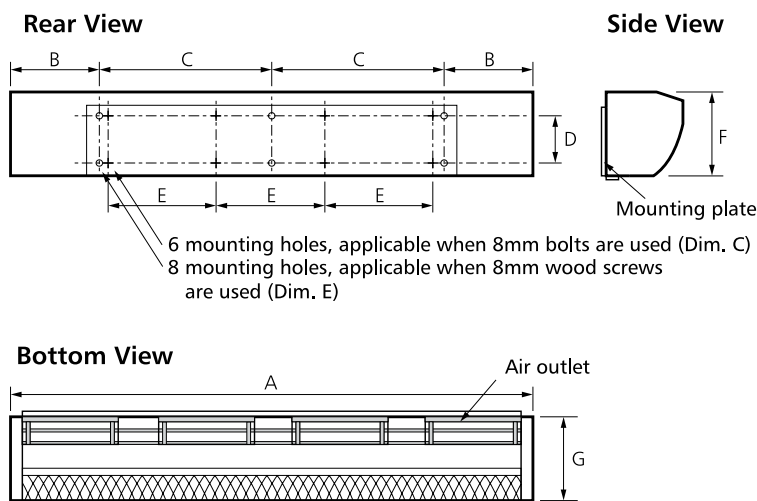
## Technical Data

Product Code	Effective Door Height metres	Width mm	Volt/Hz	Speed	Speed RPM	Input Power, W	Current A	Air Vel. m/s	Sound Level dB(A) @ 1m
HAC1209RC	Hi Speed - 4.0	900	240/50	Hi	2150	242	1.06	17	55
	Lo Speed - 3.0			Lo	1850	211	0.99	14	50
HAC1212RC	Hi Speed - 4.0	1200	240/50	Hi	2150	300	1.33	17	56
	Lo Speed - 3.0			Lo	1850	274	1.27	14	51
HAC1215RC	Hi Speed - 4.0	1500	240/50	Hi	2150	392	1.73	17	56
	Lo Speed - 3.0			Lo	1850	348	1.63	14	51



Remote Controller

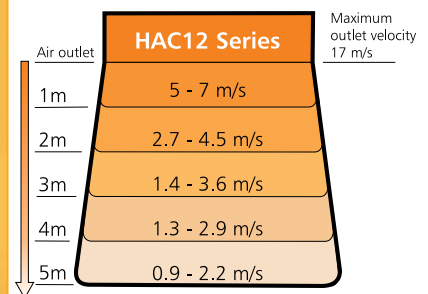
## Dimensional Data



Product Code	A	B	C	D	E	F	G
HAC1209RC	900	51	400	113	250	222	212
HAC1212RC	1200	201	400	113	250	222	212
HAC1215RC	1500	351	400	113	250	222	212

All dimensions in mm

## Air Velocity



Effective door height:

- High speed - up to 4.0m
- Low speed - up to 3.0m

### High speed:

Suitable for medium to large doorways and entrances, ie. retail supermarkets, up to small loading bays and warehouse doorways

### Low speed:

Suitable for standard doorways; ie. shops, cafes and small food preparation areas

## Contact Us

Mail: P.O. Box 1075, Mt. Waverley 3149,  
Victoria, Australia

Phone: 1300 655 730

Fax: 1300 134 319

Email: [info@hydor.com.au](mailto:info@hydor.com.au)

Web: [www.hydor.com.au](http://www.hydor.com.au)



For sales enquiries call:-