

# CP Range

## Square Plate Axial Fans

# hydor

Phone 1300 655 730



The CP Series of square plate axial fans are a high quality product suitable for a wide range of applications, including agriculture, poultry sheds, greenhouses as well as large workshops, warehouses and recreation halls.

## Features & Accessories

- Galvanised steel construction with high quality polyester epoxy finish.
- Electricity supply - 240V, single phase. 415V, three-phase also available.
- Bearings - robust, long wearing sealed-for-life ball bearings.
- Speed-controllable using electronic, auto-transformer or inverter controllers.
- Motor Weatherproof to IP55.
- Operating temperature range -20°C to +70°C. Maximum ambient when being speed-controlled is 40°C.
- Can be mounted at any angle.
- A fully OH&S compliant guard is fitted as standard.
- Connection lead fitted with Ø20 flexible conduit.

## Performance & Electrical Data

Product Code	Description Diameter / Phase / Poles	Motor Speed RPM @ 50 Hz	Airflow m <sup>3</sup> /s @ Static Pressure Pa.					Motor Electrical Data 220-240V / 1Ph / 50Hz		Sound Level dB(A) @3m
			0	25	50	75	100	FL Amps	Output kW	
CPE0314F	310mm / 1ph / 4 pole	1380	0.64	0.54	0.42			0.90	0.09	45
CPE0354F	350mm / 1ph / 4 pole	1380	0.98	0.80	0.64	0.48		0.90	0.09	49
CPE0404F	400mm / 1ph / 4 pole	1380	1.46	1.24	1.09	0.96	0.85	1.80	0.25	52
CPE0454F	450mm / 1ph / 4 pole	1380	1.75	1.53	1.37	1.23	1.11	1.80	0.25	54
CPE0504F	500mm / 1ph / 4 pole	1380	2.52	2.37	2.18	1.99	1.85	3.60	0.55	58
CPE0564F	560mm / 1ph / 4 pole	1380	3.55	3.35	3.10	2.85	2.63	4.90	0.75	62
CPE0636F	630mm / 1ph / 6 pole	900	3.70	3.26	2.81	2.36	1.91	6.00	0.55	60

415V three phase also available; please enquire with your Hydor representative.

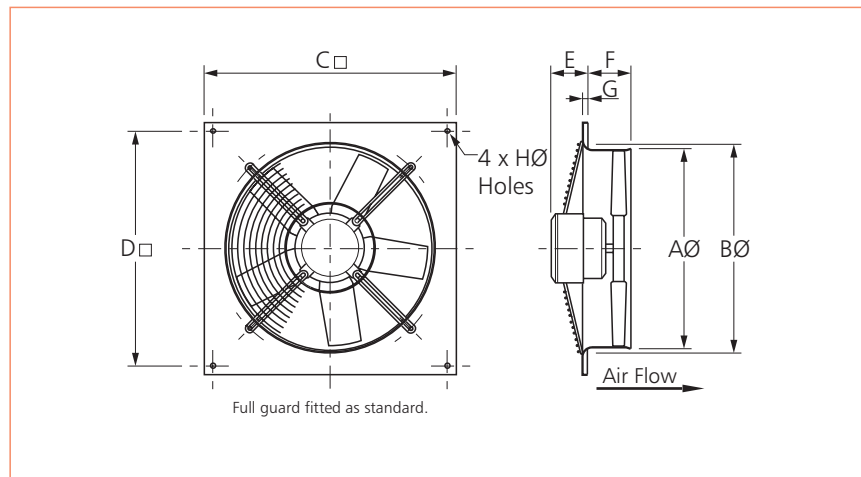
# CP Range

## Square Plate Axial Fans

# hydor

Phone 1300 655 730

### Dimensional Data



Product Code	AØ	BØ	C□	D□	E	F	G	HØ	Weight Kg
CPE0314F	325	330	430	380	95	85	10	9	10
CPE0354F	360	370	485	435	95	85	10	9	10
CPE0404F	410	420	540	490	95	95	12	9	15
CPE0454F	460	470	575	535	95	95	12	11	17
CPE0504F	510	535	655	615	145	100	15	11	24
CPE0564F	575	600	725	670	145	100	15	11	27
CPE0636F	645	670	805	750	140	105	20	11	34

### Contact Us

# hydor

Mail: P.O. Box 1075, Mt. Waverley 3149, Victoria, Australia

Phone: 1300 655 730

Fax: 1300 134 319

Email: [info@hydor.com.au](mailto:info@hydor.com.au)

Web: [www.hydor.com.au](http://www.hydor.com.au)