

Hand Dryers

HHD Range

hydor



The Hydor HHD range Hand Dryers provide hygienic, cost effective and energy efficient means for hand and face drying in public washroom facilities.

They are designed for a wide variety of washroom applications in public areas such as offices, hotels, restaurants, schools, hospitals and service stations as well as industrial facilities.

Features & Options

- Available in white epoxy painted or brushed stainless steel
- Automatic infrared 'non contact' on/off activation
- 360° nozzle rotation to provide face or hand drying
- Drying cycle of approximately 15 seconds
- Quiet operation
- Vandal resistant, robust heavy duty steel casing
- Self-resetting thermal overload protection
- Automatic "cut-off" after 60 seconds of continuous use



White Epoxy Painted

Technical Data

Product Code	Finish
HHD2500RB	Brushed Stainless Steel
HHD2500RW	White Epoxy Painted

Electrical Data

Electrical Supply:	240V / 50Hz
Power:	2400 Watts
FL Current:	10 Amps

Specifications

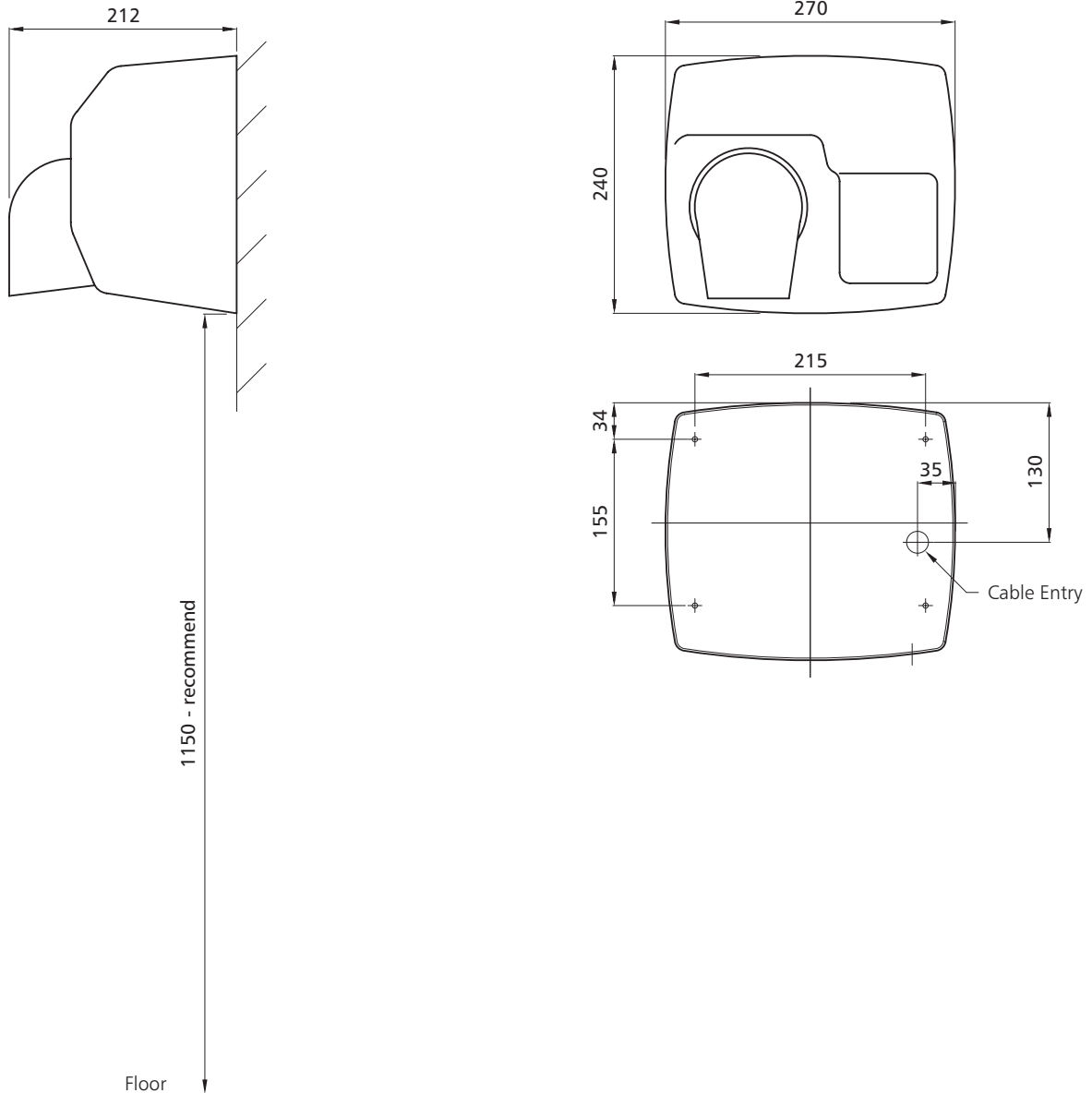
Air Velocity:	30 m/s
Air Volume:	270 m ³ /hr
Air Outlet Temperature:	50°C @ 22°C ambient
Drying Time:	Approx. 15 seconds
Sound Level:	74 dB(A) @ 1m
Sensor Range:	110mm
Insulation:	Earthed Class 1
Water Splash Proof:	IPX1
Weight:	6.3kg

Hand Dryers

HHD Range



Dimensional Data



Contact Us

Mail: P.O. Box 1075, Mt. Waverley 3149, Victoria, Australia
Phone: 1300 655 730
Fax: 1300 134 319
Email: info@hydor.com.au
Web: www.hydor.com.au



For sales enquiries call:-